

DESCRIPTION

AER-DEC® 1-Station Wall-Mounted Sink.

DETAILS

- Material: Corian/Quartz
- Corian (Width): 30" (762mm)
- Quartz (Width): 30" (762mm)

FEATURES

One Station Lavatory System with the following features:

- Built in air dam technology that eliminates backsplash and updrafts
- A monolithic console available in Corian or quartz
- Basins can be sized to project requirements
- Many customization options - see architectural worksheet for all options
- Easy installation
- ADA compliant if properly installed
- Comes with deck mounted BASYS style hand dryer standard
- Pairs great with Sloan faucets and soap dispensers

COLORS

- For a complete list of Corian® colors:
<http://www.corian.com/colors-of-corian-r>
- For a complete list of Corian® quartz colors:
<http://www.corianquartz.com/colors-of-zodiaq-r>
- For a complete list of Silestone® quartz colors:
<http://www.silestoneusa.com/colors/>

SUGGESTED FAUCETS

This sink is compatible with [BASYS® faucets](#).

VIDEOS

- ▶ [AER-DEC Integrated Sink](#)

**COMPLIANCES & CERTIFICATIONS**

(ADA Compliant, cUPC Certified, BAA Compliant, IGC156)

RECOMMENDED SPECIFICATION

Sloan AER-DEC Integrated Sink System model no. AD 8X000. Product to be fabricated out of Corian or quartz. Supplied with Sloan deck mounted hand dryer EHD-510, Sloan automated sensor faucet EFX Series and Sloan sensor operated foam soap dispenser ESD-400 or ESD-500. Sink design to be ADA compliant. Supplied with enclosure.

DOWNLOADS

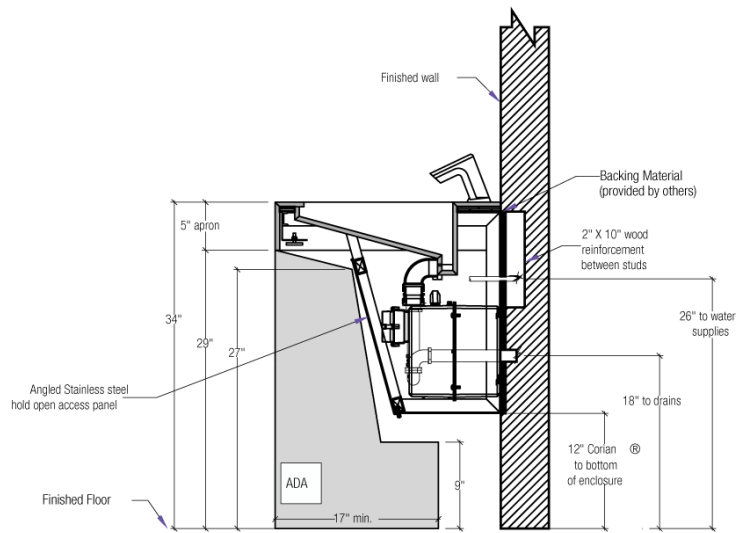
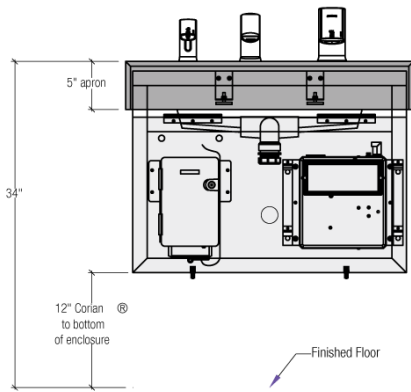
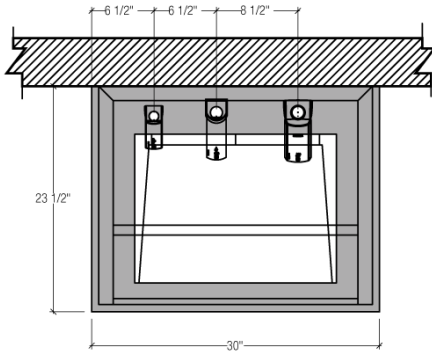
- [AER-DEC® Installation Instructions](#)
- [Hand Dryer EHD-511 Installation Instructions](#)
- [AER-DEC® 80000 Series Repair and Maintenance Guide](#)
- [Additional Downloads](#)

NOTES

All information contained within this document subject to change without notice.

Many customization options - see [architectural worksheet](#) for all options

ROUGH-IN



Sloan 10500 Seymour Ave, Franklin Park, IL 60131
Phone: 800.982.5839 • Fax: 800.447.8329 • sloan.com