

**DESCRIPTION**

AER-DEC® 2-Station Wall-Mounted Sink.

**DETAILS**

- Material: Corian/Quartz
- Corian (Width): 60" (1,524mm)
- Quartz (Width): 60" (1,524mm)

**FEATURES**

Two Station Lavatory System with the following features:

- Built in air dam technology that eliminates backsplash and updrafts
- A monolithic console available in Corian or quartz
- Basins can be sized to project requirements
- Many customization options - see architectural worksheet for all options
- Easy installation
- ADA compliant if properly installed
- Comes with deck mounted BASYS style hand dryers standard
- Pairs great with Sloan faucets and soap dispensers

**COLORS**

- For a complete list of Corian® colors:  
<http://www.corian.com/colors-of-corian-r>
- For a complete list of Corian® quartz colors:  
<http://www.corianquartz.com/colors-of-zodiaq-r>
- For a complete list of Silestone® quartz colors:  
<http://www.silestoneusa.com/colors/>

**SUGGESTED FAUCETS**

This sink is compatible with [BASYS® faucets](#).

**VIDEOS**

Sloan AER-DEC

**COMPLIANCES & CERTIFICATIONS**

IGC156

(ADA Compliant, cUPC Certified, BAA Compliant, IGC156)

**RECOMMENDED SPECIFICATION**

Sloan AER-DEC Integrated Sink System model no. AD 8X000. Product to be fabricated out of Corian or quartz. Supplied with Sloan deck mounted hand dryer EHD-510, Sloan automated sensor faucet EFX Series and Sloan sensor operated foam soap dispenser ESD-400 or ESD-500. Sink design to be ADA compliant. Supplied with enclosure.

**DOWNLOADS**

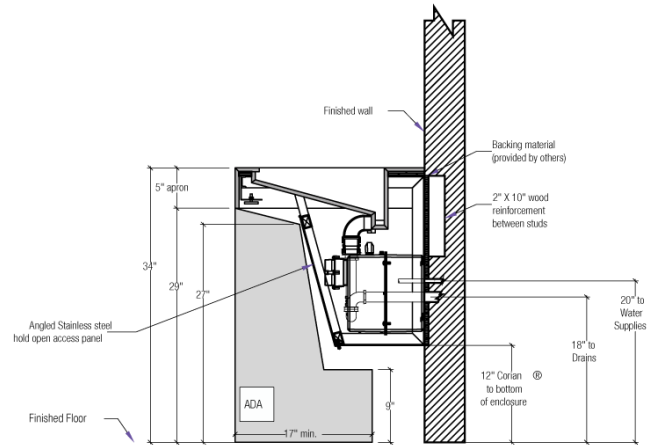
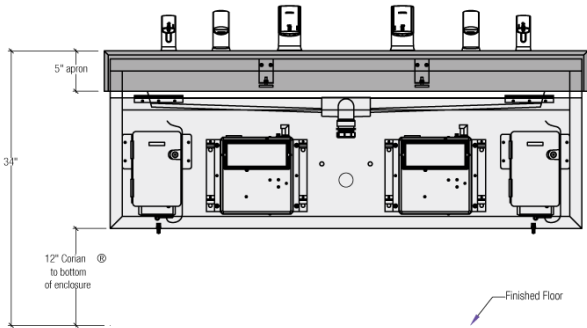
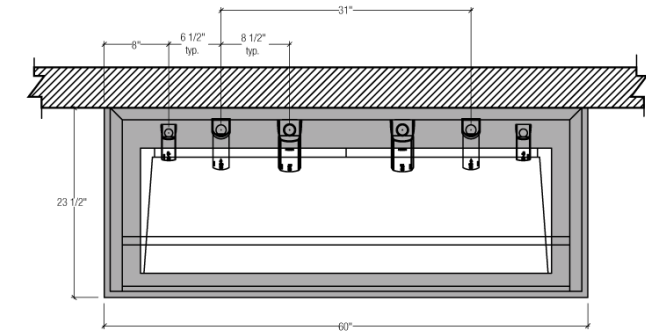
- [AER-DEC® Installation Instructions](#)
- [Hand Dryer EHD-511 Installation Instructions](#)
- [AER-DEC® 80000 Series Repair and Maintenance Guide](#)
- [Additional Downloads](#)

**NOTES**

All information contained within this document subject to change without notice.

Many customization options - see [architectural worksheet](#) for all options

**ROUGH-IN**



**Sloan 10500 Seymour Ave, Franklin Park, IL 60131**  
Phone: 800.982.5839 • Fax: 800.447.8329 • [sloan.com](http://sloan.com)