

**CODE NUMBER**

3346163

**DESCRIPTION**

Brushed Nickel Finish, Sloan® Deck-Mounted Foam Soap Dispenser.

**DETAILS**

- Finish: Brushed Nickel (BN)
- Power Type: Battery
- Height: 3 47/50" (100mm)
- Width: 1 23/25" (49mm)
- Depth: 5 22/25" (149mm)
- Sensor Type: IR

**FEATURES**

Sensor Activated, Electronic, Brushed Nickel Die Cast Body, Hand Washing Foam Soap Dispenser with the following features:

- Modular one-piece construction easily attaches to deck surface
- All electronics in spout are sealed
- Designed for drip free foam dispensing operation
- Motor Assembly suspended under counter connected to soap dispenser spout
- Motor Assembly rotates 360 degrees for easy installation
- Battery life of 45,000 activations
- 1,500 dispenses per foam soap bottle
- Ships with 2 bottles of non-scented, non-colored foam soap (1500ml per bottle)
- Additional foam soap can be purchased through Sloan (ESD-321) or GOJO distribution (8565-02-N6300GN)
- Ships with battery pack (4 "D" Alkaline batteries included)
- Sensor range - nominal 5"
- GFI outlet suggested per code
- 120V/15 Amp
- Optional AC adaptor can be purchased separately (part number 0346090)
- Select the ESD-411 to combine ESD-410 soap dispenser, 2 bottles of soap and the EBF-415 faucet

**SOAP REFILLS**

- ESD-321 (1500mL)

**VIDEOS**

- ▶ PVD Special Finishes

**COMPLIANCES & CERTIFICATIONS**

ADA Compliant

**RECOMMENDED SPECIFICATION**

Sloan Foam Soap Dispenser model number ESD-410. Brushed Nickel Dispenser. Supplied with 2 bottles of 1500ml soap.

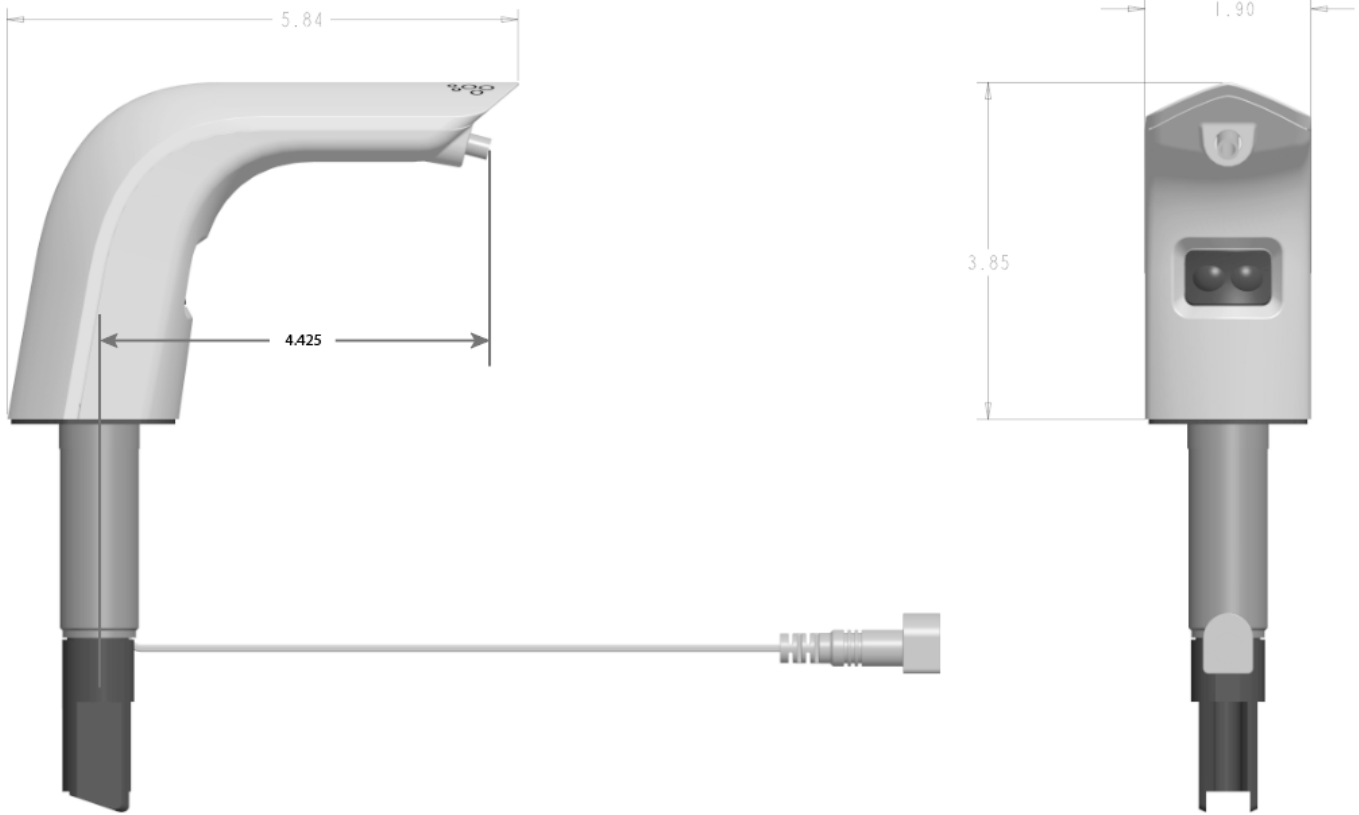
**DOWNLOADS**

- [ESD Series Installation Instructions](#)
- [Additional Downloads](#)

**NOTES**

All information contained within this document subject to change without notice.

**ROUGH-IN**



**Sloan 10500 Seymour Ave, Franklin Park, IL 60131**  
Phone: 800.982.5839 • Fax: 800.447.8329 • [sloan.com](http://sloan.com)