



# Specification Information

**Product Code:** 422-70A – recessed, 422-70C – surface mounted

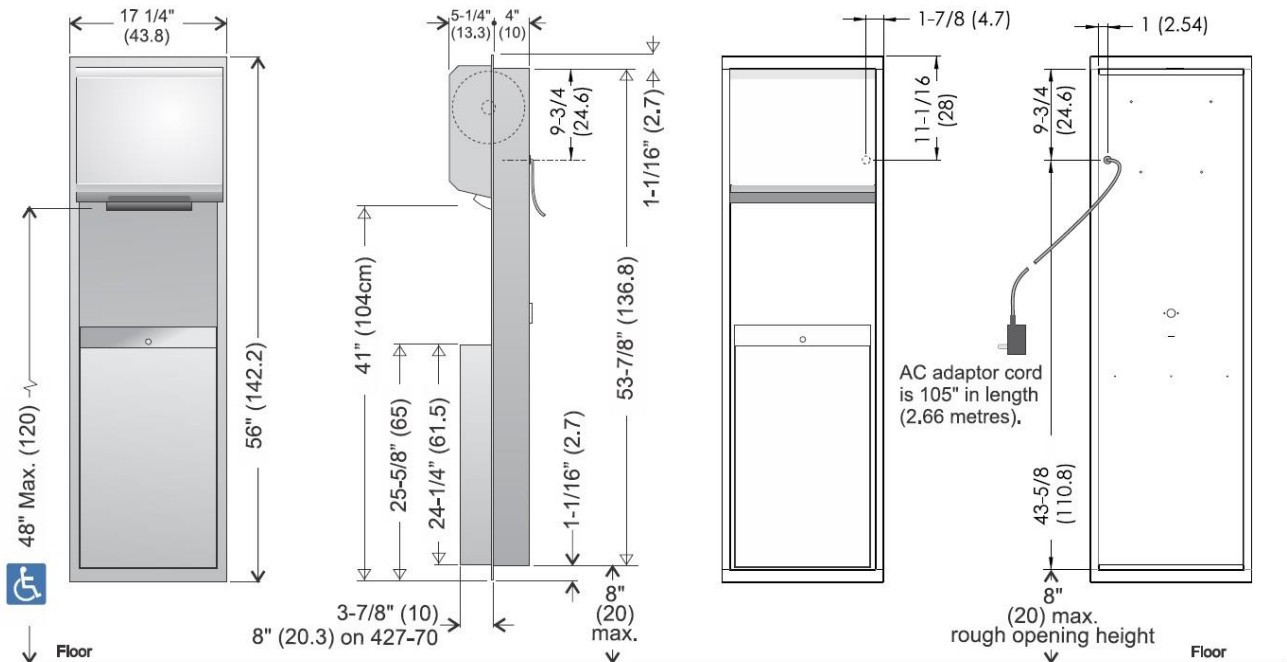
**Product Name:** Stainless Steel Hands Free Combination Towel/Waste Receptacle

**Individual Carton UPC:** 422-70A – 624622422707, 422-70C – 624622422721

**Individual Carton Shipping Dimensions:** 47.0cm W x 149.9cm H x 25.4cm D (18½" W x 59" H x 10" D)

**Individual Carton Shipping Weight:** 422-70A – 22.7kg (50 lbs), 422-70C – 26.3kg (58 lbs)

**Site Location:** Frost’s 422-70 series stainless steel hands free combination units are durable and very high quality. Typically, these units are found in office buildings, schools, retail outlets, sports facilities, and other commercial properties. The durable construction and high quality stainless steel make these units a popular choice.



Front view  
422-70

Side view  
422A-70

Showing position of AC  
cord access relative to  
front view (frame)

Showing position of AC  
cord access, rear view,  
recessed body portion



# Specification Information

## Features:

- Made with durable high quality North American stainless steel
- Cabinet door hinged with full length stainless piano hinge and is secured with tumbler lock
- All stainless welded construction with locking removable waste bin
- Removable waste receptacle allows for convenient maintenance
- Comes with standard bag holder apparatus
- Front loading for easy service and maintenance
- Dispenser provides quiet and uniform paper delivery
- Two keys provided

**Dispensing:** Frost code 422-70 series is designed to dispense Jumbo 8" diameter (2 ½" reserve roll) x 8" wide roll towels, core size of 1 ¾" and greater. The units are universal; meaning, the unit is non-proprietary and dispenses paper from standard commercial paper producers. This allows the end user to avoid getting locked into paper supply contracts and should save them money on their janitorial supplies. The unit is automatically operated when placing a hand within the large detection zone. An adjustable length of towel, between 6" and 9" (15.2 cm – 22.9cm) will then be dispensed. It can be refilled by unlocking the dispenser from the top. The lid will then swing down and new paper can be inserted. Please note that it is important to switch the unit off prior to installing new paper. The product can be powered with the AC adaptor (included) or four "D" size alkaline batteries. Four alkaline batteries have been independently tested and found to provide 35,000 hand dries.

## Capacity:

- The waste receptacle has a capacity of 50 litres (13.2 US gal., 11 Imp. gal.)

## Materials:

- Dispenser: front is all welded construction of 22 gauge type 304 stainless steel, no.4 brushed finish
- Body: 22 gauge stainless steel type 430 brushed finish
- Back: 22 gauge stainless steel type 430 brushed finish
- Waste receptacle: 22 gauge stainless steel type 430 brushed finish

## Product Dimensions:

- 43.8cm W x 142.2cm H x 23.5cm D (17¼" W x 56" H x 9¼" D)

## Product Weight:

- 422-70A – 22.7kg (50 lbs), 422-70C – 26.3kg (58 lbs)

**Installation Guidelines:** Code 422-70A: provide wall opening 40.6cm W x 138.9cm H x 10.2cm D (16" W x 54½" H x 4" D). Mount recessed frame first (drill holes as required), then insert waste bin using bracket provided. Code 422-70C: using the appropriate tools for installation, drill mounting holes as required and attached the unit into desired surface. For barrier free mounting ensure that bottom of rough opening does not exceed 20 cm (8") above floor level. AC adaptor cord is 105" (2,66 meters) in length. Please note that it is recommended that all installations be conducted by a qualified tradesperson. Please read and follow installation guidelines provided with the products. Failure to do so may result in serious injury or death.

**Maintenance:** Normal preventative maintenance and cleaning will keep Frost products functioning properly and may extend normal product life. Products should be wiped down with a damp soft cloth periodically. The internal mechanism

Frost Products Ltd

5276 John Lucas Drive  
Burlington, ON, Canada, L7L5Z9

(905) 332-5700  
1-800 667-5094

info@frostproductsltd.com  
www.frostproductsltd.com



## *Specification Information*

should be checked periodically for paper debris. A build up of debris can put excess stress on the mechanism motor and could lead it to failure sooner than normal. Approved stainless steel cleaner may be used to clean scuffs or fingerprints on stainless surfaces. Do not use harsh detergents or chemical cleaners. For stainless steel please do not spray with any product containing bleach, acids, or chlorides, which can be found in many cleaning products such as toilet bowl cleaners. Use of these cleaning solutions may cause discoloration and if used for prolonged periods of time they can eat away at points in the stainless steel. If discoloration occurs, the use of an approved stainless steel cleaner and a firmer scrub pad, such as a Scotch Brite Pad #7447, may remove the markings. Wipe away any debris from the area and gently rub with the pad. Then spray the area with a stainless steel cleaner/polish and rinse and dry. Always wipe with the grain direction for stainless steel products. If a cleaning agent has begun to eat away at the steel on a unit then the unit will likely need to be replaced. The stainless steel that Frost Products uses is of high quality and stainless steel is resistant to rust. However, discoloration that appears to be rust can be caused by cleaning solutions and soaps mentioned above. It is important to discontinue use of any cleaning agent or soap if discoloration begins to occur. Clean off the discoloration as quickly as possible to avoid any permanent damage to the unit. Maintenance staff should be taught how to recognize the signs that they are not using the appropriate cleaning products and how to correctly maintain stainless steel items.

When exchanging bags, pop the bag holder out of its secure bracket, tie off the garbage bag, and remove. When replacing the bag please slide the bag within the holder and around the holder's edge with the bag draping over the holder by approximately 6". Then snap the holder back into its secure bracket. This will keep the bag properly hidden and secure. This holder is not supposed to be on the inside of the garbage bag, doing so may lead to accidentally throwing away the bag holder.

**Warranty:** If any product or part proves to be defective within 12 months from date of shipment from the factory it will be repaired or replaced without any charge including freight costs when authorized. Costs resulting from the installation or removal of defective products are not covered under this warranty. Discoloration to stainless steel parts resulting from exposure to harsh environmental and / or chemicals are not considered to be defects in workmanship or material and are not covered under warranty.