

FROST PRODUCTS LTD.

1124-S Stainless Steel Baby Change Table



- Can be Recessed or Surface Mounted
- Type 304 No. 4 Stainless Steel Front and KYDEX® Antimicrobial Plastic Cradle
- Safety Strap and Clear Multi Language Labeling
- Concealed Pneumatic Gas Springs Allows for Smooth Action Opening and Closing
- Can Withstand 400 lbs. of Static Weight
- For Use with Ages Up to 3.5 Years and Weighing Less Than 50lbs.
- ASTM F2285 and ADA compliant

5280 John Lucas Drive
Burlington, ON, Canada, L7L 5Z9
Ph: (905) 332-5700 E: info@frostproductsltd.com



FOLLOW US!



Frost Products



@FrostProducts



@FrostProducts



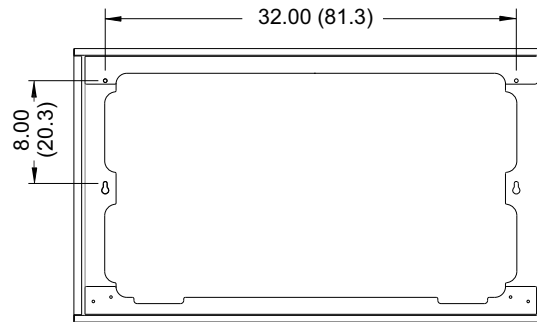
Frost Products



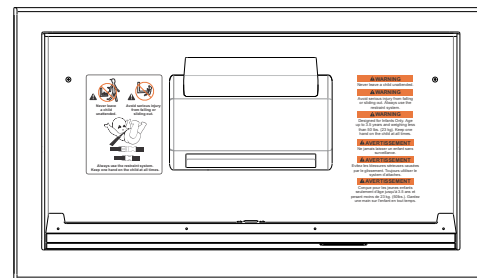
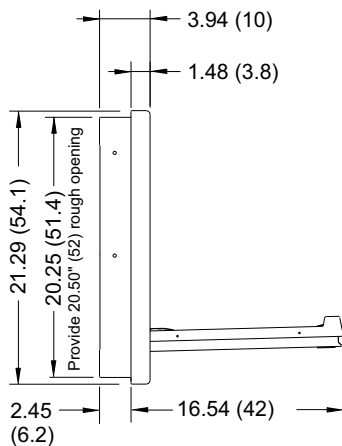
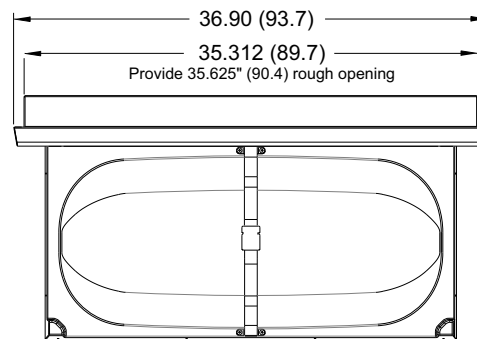
Stainless Steel Baby Change Table

Code 1124-S: Baby Change Table, Stainless Steel.

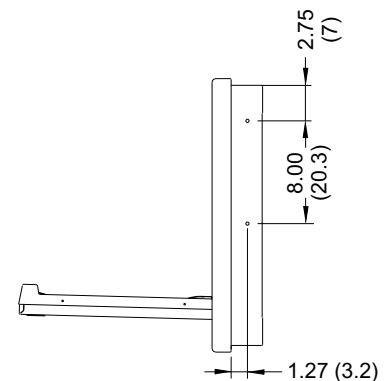
Overall dimensions in inches (centimetres in brackets)



Surface Mounting Hole Locations



Front View



Recessed Mounting Hole Locations

Specifications

Site Location: • Ideal for areas where other stainless steel accessories have been specified.

Features:

- For use with ages up to 3.5 years and weighing less than 50 lbs. (23 kg).
- All stainless steel exterior.
- Antimicrobial plastic cradle, as well as recessed panel and towel dispenser.
- Safety restraint. Clear instructions in French and English.
- Smooth action opening and self closing.
- Recess and surface mountable.
- Dispenses standard multi-fold towels.
- Heavy duty, solid non “flexing” in open position. The code 1124-S with its all steel chassis construction can withstand a static distributed load of 400 pounds.
- ASTM guidelines require the change table to be used with infants weighing a maximum of 50 lbs. (23 kg). The Frost Code 1124-S meets ASTM F2285 specifications.

Installation:

- See installation instructions for rough opening and mounting height.



Instructions

Table of contents

Page 1	Operational use and care instructions
Page 2	Overview
Page 3	Recess mounting
Page 4	Surface mounting, mounting hole locations



READ ALL INSTRUCTIONS BEFORE THE ASSEMBLY AND MOUNTING OF THE DIAPER CHANGING STATION.

Operation:

Pulling on the handle rotate door downward. Place the infant on top of the changing surface and use belt restraining system, see instructions below.

WARNING! AVOID SERIOUS INJURY FROM FALLING OR SLIDING OUT. ALWAYS USE RESTRAINT SYSTEM.

Use of belt restraint system:

If buckle is closed press on the area in mid buckle as shown on left to open and unlatch the buckle. Place child so restraint strap is located at the abdomen area. Relatch strap. Adjust strap if required to insure that it is snug against infant.

WARNING! NEVER LEAVE CHILD UNATTENDED.

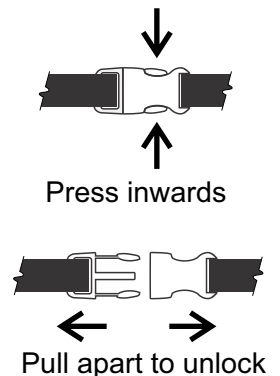
After the child has been changed, remove the restraining belt and rotate door back up against the wall.

WARNING! The unit is rated for 50 pounds (22.7 kg). The addition of items such as parcels or accessories to the unit or to the bag hooks must not exceed the total weight limit of 50 pounds (22.7 kg). Failure to do so may cause the unit to be unstable or create a hazardous condition to the end users.

Maintenance and cleaning:

- 1) Check for missing or damaged components on a monthly basis or as required depending on traffic flow. All hardware and the unit's fitting to the wall should be tight.
- 2) Take the unit out of service if any component is vandalized, missing or damaged. Contact your authorized dealer to order replacement parts. Do not substitute parts.
- 3) Apply a mild soap or multi-purpose cleaner (non abrasive) by means of a damp cloth. Do not allow liquids to pool or soak in any areas of the changing station. Strong chemical cleaners or cleaning agents may be hazardous to children, do not use these strong cleaners.
- 4) Upon delivery check for damage from shipping or handling to job site.

WARNING! Do not install a damaged unit!





Overview

Code 1124-S Installation Instructions

This document covers the recessed and surface mounting of the Code 1124-S stainless steel baby changing station.

Note:

Follow the **“WARNING!”** in the installation instructions. Failure to do so may result in serious injury or death. Read all instructions before installing the baby changing station. Keep these instructions for future use.



READ ALL INSTRUCTIONS BEFORE THE ASSEMBLY AND MOUNTING OF THE DIAPER CHANGING STATION.

Unpack carton and identify the following parts.

PART	Type:	Quantity:
3" x 1/4" wood screw	Phillips head	4
1-1/2" x 1/4" wood screw	Phillips head	2
10-24 x 1/2" machine screw	Phillips head	2



- Tools required:**
- Level
 - Measuring tape
 - Power drill
 - 3/16" taper length drill bit (5-3/4" long)
 - Phillips driver bit for power drill
 - Phillips screw driver

WARNING! MUST BE INSTALLED BY A QUALIFIED TRADES PERSON.

WARNING! The diaper changing station is no stronger than the walls to which they are attached and therefore the unit **MUST** be firmly secured in order to support the weight it is intended to carry. Contact the building contractor or Architect if there are any questions.

WARNING! The unit is rated for 50 pounds (22.7 kg). The addition of items such as parcels or accessories to the unit or to the bag hooks must not exceed the total weight limit of 50 pounds (22.7 kg). Failure to do so may cause the unit to be unstable or create a hazardous condition to the end users.

Clean up: After the installation is completed remove and dispose of all protective plastic from the surface of the product. Also dispose of all bags and loose clear tape. Save this instruction sheet for future reference. Please save the foam and carton in case of product return.

Product Return: Call Frost Products Ltd. customer service (1.905.332.5700) to receive a Return Authorization Number. Product returns will only be accepted in the original packaging with the original foam padding. Do not include the hardware in the product return carton.

Registration: To register your product, email the information listed below to our dedicated email address: 1124Sregister@FrostProductsLtd.com

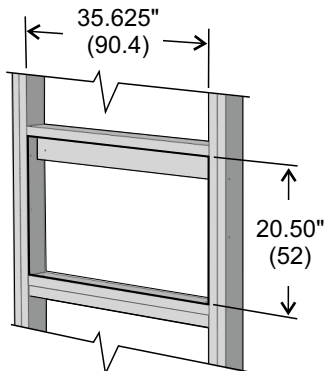
Please provide the following in your email:

- 1) Your organization's contact name, phone number and email address
 - 2) The Model Number
 - 3) The Batch/W.O.#
- See illustration on right for location of product info.





Recess Mounting



Rough opening configuration. double studding, lower top cross stud flipped on it's side flush with back. Results in 2.5\" (63.5mm) depth with 1/2\" drywall.

Figure 1

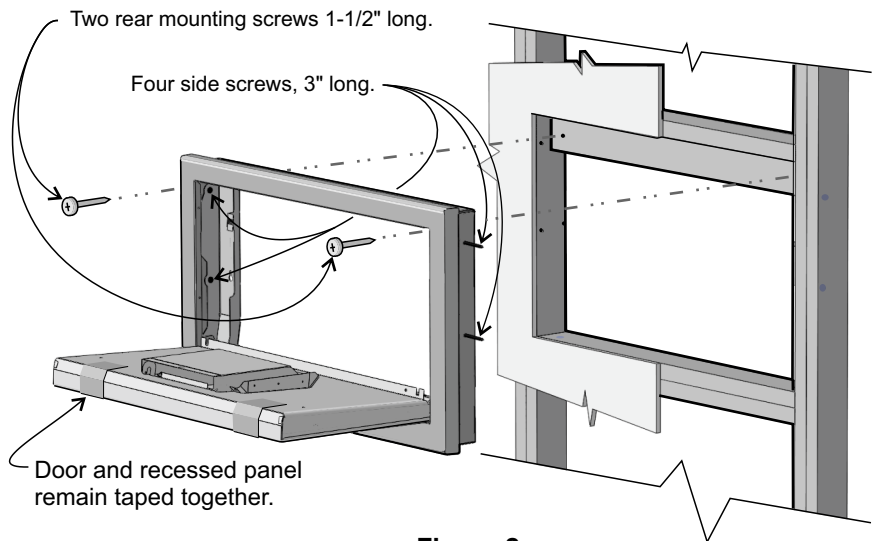


Figure 2

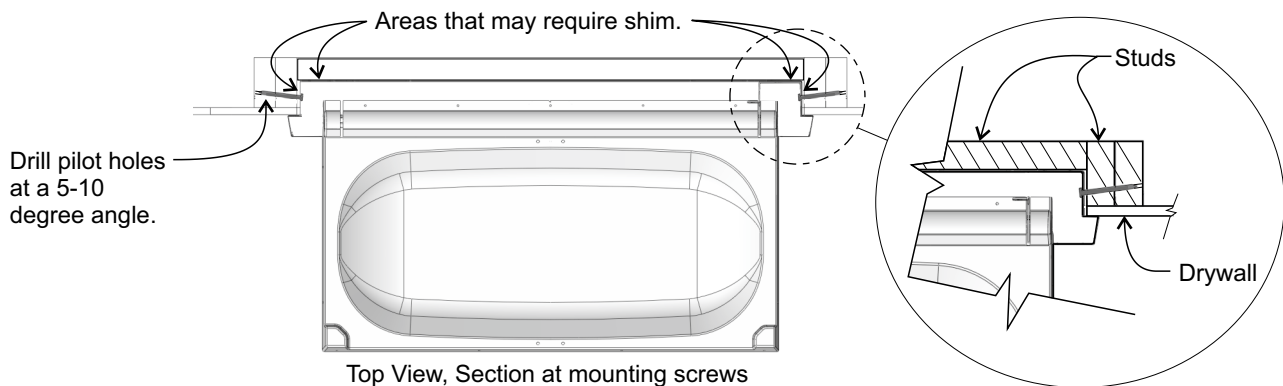


Figure 3

Recommended Rough Opening Configuration:

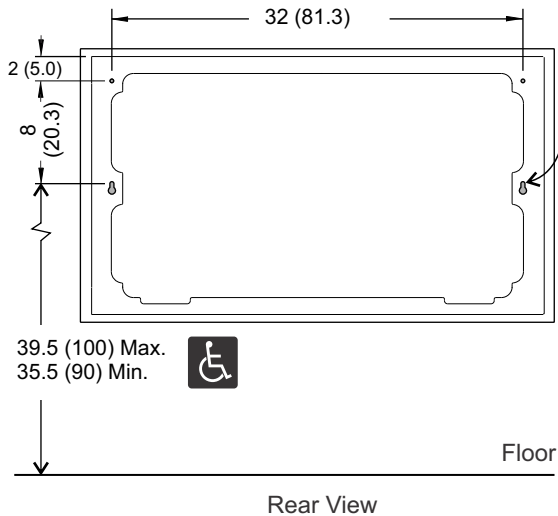
Wood double stud framing is necessary in the rough opening (Fig. 1). Contact an architect and building official to make sure the framing is adequate and complies with building codes. A.D.A. compliance guidelines require the top of the lower part of rough opening to be a maximum of 29\" (73.7) and a minimum of 25\" (83.5) from floor.

1. Test unit in the rough opening for fit. Shim as required (Fig. 3) to minimise play. Insure the bottom of the rough opening is level.
2. Slide changer into rough opening. Let it rest on the bottom of the rough opening (this has been made level in step 1). Flip down door. Door and recessed panel remain taped together during installation, see Figure 2 above. Using the unit as a template drill six (6) 3/16\" pilot holes into the studs. Drill side holes at a 5-10 degree angle (Figure. 3). Use a 3/6\" taper length drill bit (5-3/4\" long). **Quick Tip:** To insure the unit is snugly pressed against the wall it may require an additional person to help hold the changer in position while you are drilling the holes and insert the first mounting screw. A total of four side mounting and two back mounting screws are used (Figure. 2).
3. Insert side wood screws using the power drill with the Phillips driver. Wood screws have been provided and it is the installer's responsibility to provide correct fasteners for other substrates. Shim the rear mounting area after the four (4) side screws have been installed. Insert the last two (2) rear screws.
4. Ensure all six (6) screws are tight. Do not over tighten to the point of distortion.
5. Remove tape and flip up recessed panel to Insert two (2) 1/2\" long Phillips machine screws to secure recessed panel to complete the installation, see Figure B next page.

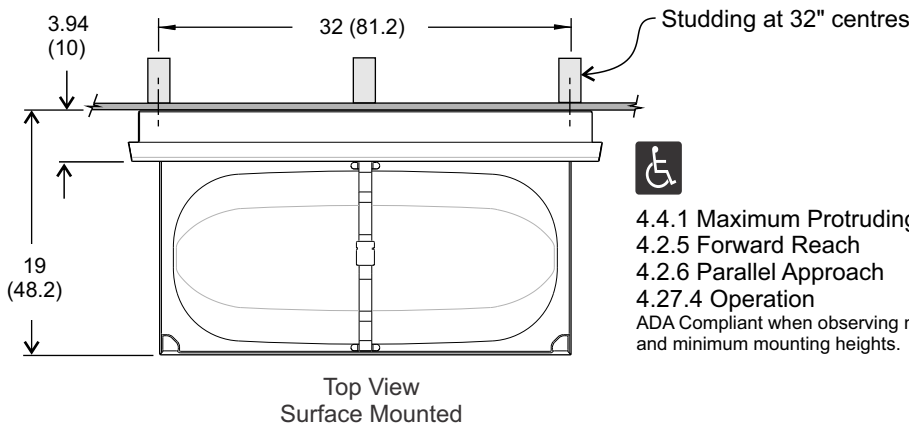
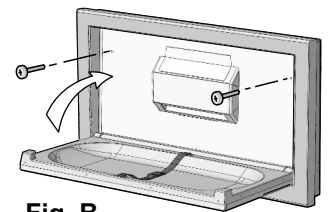
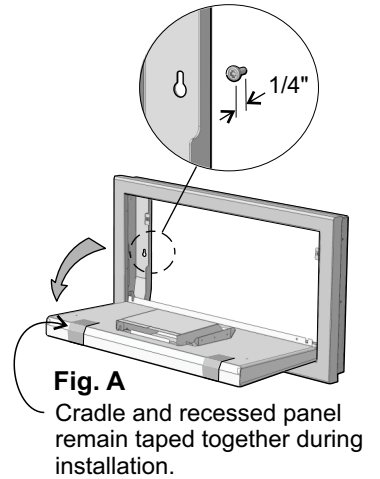


Surface Mounting and Mounting Hole Locations

Surface Mounting



- 1) Drill lower pilot holes (level) into studding at 32" centres. Insert first two (2) screws to 1/4" (6mm) distance from wall (Fig. A).
- 2) Hang unit off of the lower mounting screws (screw heads will fit through "keyhole", Fig. A). Tighten screws, adjust level of unit if required during tightening.
- 3) Drill and insert last two top mounting screws.
- 4) Remove tape, flip up recessed panel and insert two (2) machine screws (Fig. B) to secure recessed panel to complete installation.



- 4.4.1 Maximum Protruding Objects
 - 4.2.5 Forward Reach
 - 4.2.6 Parallel Approach
 - 4.27.4 Operation
- ADA Compliant when observing maximum and minimum mounting heights.

