



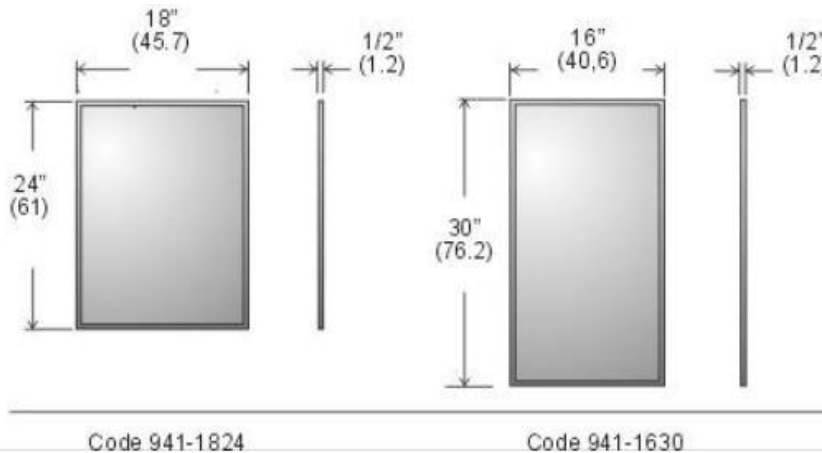
- Quality
- Value
- Service

**Tech
Reference**

Hygienic Solutions at Work

Stock Series Mirrors

- Code 941-1624: 16"w x 24"h
- Code 941-1630: 16"w x 30"h
- [Code 941-1824](#): 18"w x 24"h
- Code 941-1830: 18"w x 30"h
- Code 941-1836: 18"w x 36"h
- Code 941-2424: 24"w x 24"h
- Code 941-2430: 24"w x 30"h
- Code 941-2436: 24"w x 36"h



Specifications:

Site Location: The 941 stock series mirror is ideal for any location with its vandal resistant three way concealed fastener mounting.

Features: One piece 24 ga. stainless steel channel frame provides rigid assembly. Comes in bright annealed finish. Vandal resistant concealed three way mounting. **Frost mirrors have shock resistant primary back.** Full galvanized back panel.

Shipping Weight: Code 941-1824, 10 kg. (23 lbs.), **Shipped two per carton.**

Installation: Position bottom of mirror 48" (121) from floor.

Positions may vary depending on size and the type of installation.

Description and specifications applicable on date issued. Frost reserves the right to make improvements or changes without notice.

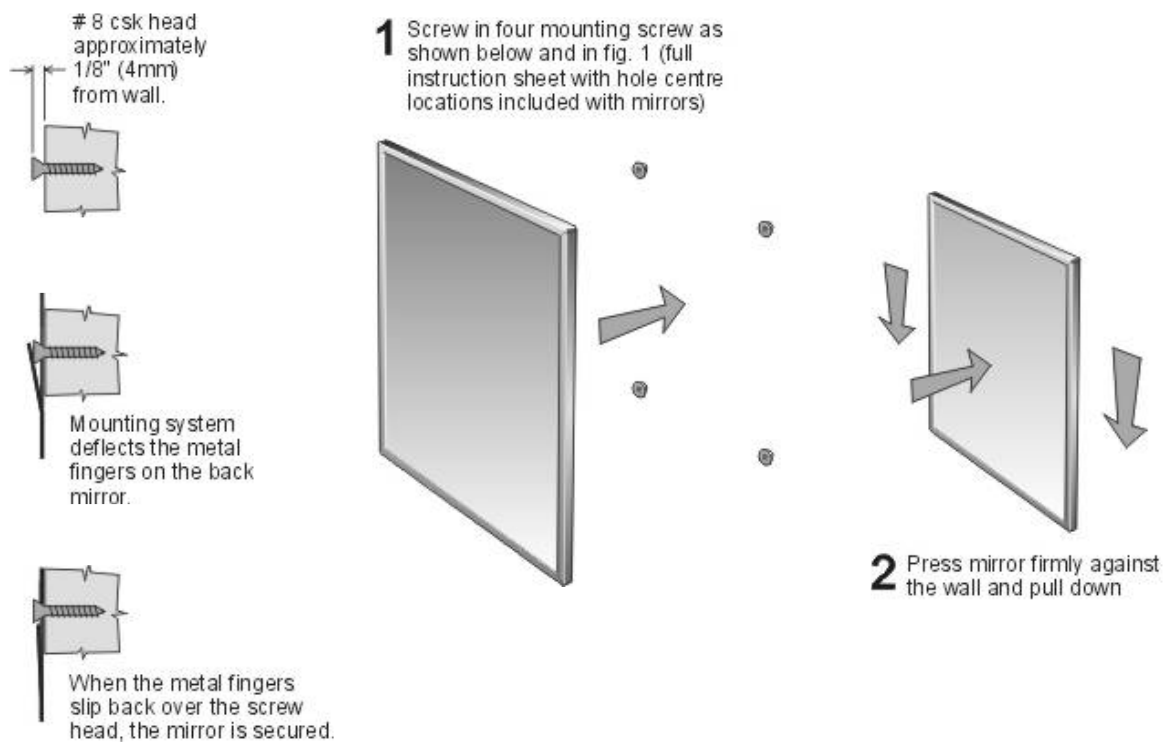


- Quality
- Value
- Service

**Tech
Reference**

Stock Series Mirror Installation Guide

Code 941-1824: 18" x 24" shown



Specifications:

Installation: Position bottom of mirror 48" (121) from floor.
Positions may vary depending on size and the type of installation.

Description and specifications applicable on date issued. Frost reserves the right to make improvements or changes without notice.



April 1st, 2015

Warranty and Order Fulfillment Policy

General Warranty:

If any product or part proves to be defective within 12 months from date of shipment from the factory it will be repaired or replaced without any charge including freight costs when authorized. Costs resulting from the installation or removal of defective products are not covered under this warranty. Discolouration to stainless steel parts resulting from exposure to harsh environmental and / or chemicals are not considered to be defects in workmanship or material and are not covered under warranty.

Mirror Warranty:

Frost Products Ltd is a leading manufacturer of mirrors for commercial and institutional installations. Frost offers vandal resistant channel frame, frameless, and Barrier free tilt designs. We offer standard float glass, tempered glass, laminated glass, and stainless steel face options. All Frost mirrors are covered under our standard complete product warranty. Mirror glass is conforming to GS12GD5A type 1B, guaranteed against silver spoilage for 10 years. Note; on tempered mirrors the tempering process may produce slight distortion in mirror reflection when viewed from a distance. Mirror back plate consists of shock resistant primary back combined with galvanized second back plate and vandal resistant mounting system. All stainless steel face mirrors use 20 ga. XL buff stainless steel reflective surfaces.

Hand Dryer Warranty:

Frost's hand dryers come with a complete 5 year warranty from date of purchase. Motor assembly and all working parts must be kept clean from excessive dirt/dust and any form of foreign debris. Failure to maintain a unit may reduce performance and result in void of warranty.

Frost Order Fulfillment Policy:

Frost requires 48 hours to process orders. We do our best to ensure all orders are shipped within 48 hours of receiving the order. We will try to accommodate rush orders, however we cannot guarantee products will be shipped prior to 48 hours from order receipt.