



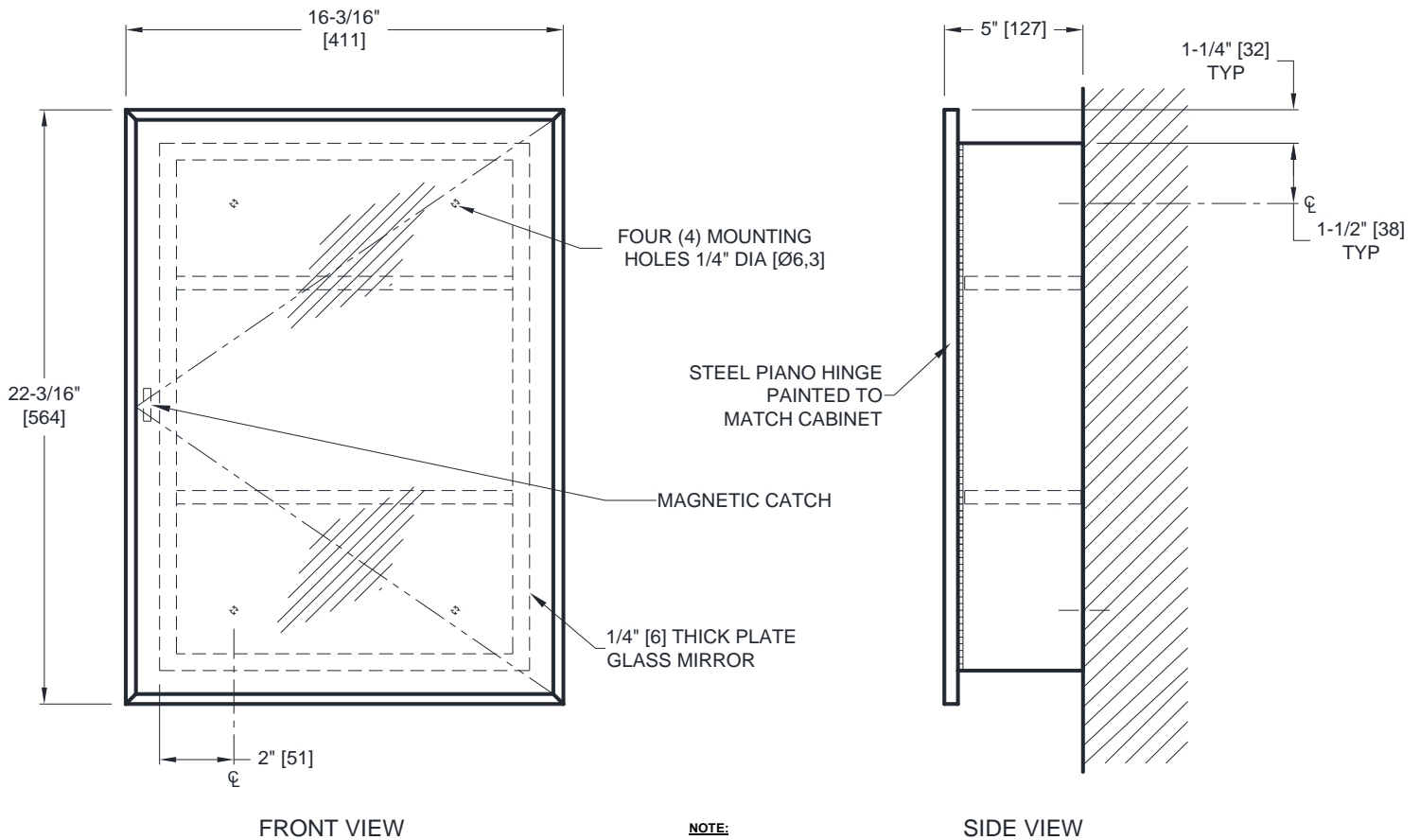
AMERICAN SPECIALTIES, INC.
 441 Saw Mill River Road, Yonkers, NY 10701
 (914) 476.9000 • (914) 476.0688
 www.americanspecialties.com

MODEL №: 8339

ISSUED: 01-87

REVISED: 12 APR 2019

SURFACE MOUNTED MEDICINE CABINET WITH MIRRORED SWING DOOR



FRONT VIEW

SIDE VIEW

NOTE:

ALL DIM'S INCH [MM]

ILLUSTRATION FOR REF ONLY AND NTS

FOR CLEANING INSTRUCTIONS SEE APPROPRIATE SECTIONS IN
 PRODUCT CARE & MAINTENANCE
 BULLETIN (PCM) ON ASI WEBSITE

SPECIFICATION

Surface Mounted Medicine Cabinet with Mirrored Swing Door shall be one-piece cold rolled steel with a neutral baked enamel finish. Cabinet shall be provided with two (2) adjustable white baked enamel steel shelves. Mirror glazing shall be № 1 quality 1/4" [6] thick polished float/plate glass and shall be warranted for fifteen (15) years against silver spoilage. Stainless steel door channel shall be hung on full length 3/16" diameter [Ø4,7] heavy duty stainless steel multi-staked piano hinge and shall be held closed by a magnetic. Cabinet shall have two (2) rubber door silencers. Cabinet can be right-handed swing door or left-handed swing door determined by the installation.

Surface Mounted Medicine Cabinet with Mirrored Swing Door shall be Model № 8339 of American Specialties, Inc., 441 Saw Mill River Road, Yonkers, New York 10701-4913

INSTALLATION

Install unit on wall using four (4) № 10 pan head self-threading screws (by others) through mounting holes provided in cabinet back. For general utility mount unit 46" [1168] above finished floor (AFF) to bottom of unit or 12" [305] above wash basin. For compliance with 2010 ADA Accessibility Standards install unit so that bottom edge of mirror is 40" [1016] MAX AFF.

OPERATION

Pull the door to access contents and manually pushes door to engage magnetic catch that holds door shut. Shelf spacing may be adjusted using internally embossed clip tracks.